

POWER PERFORMANCE RARITY

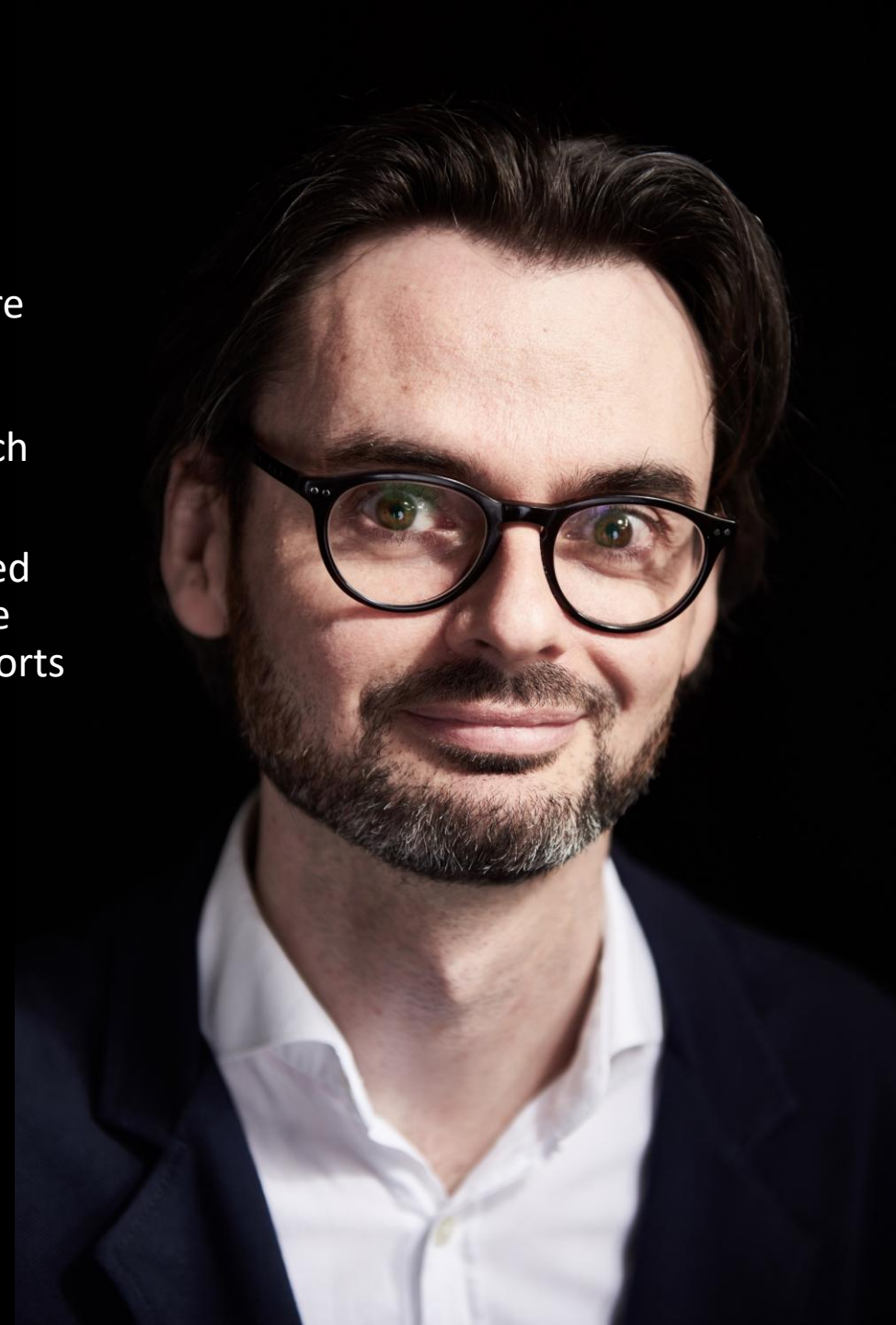
Gorilla



FOUNDERS

Octavio Garcia and Lukas Gopp were watch design executives who held leadership roles in some of Switzerland's most prestigious watch houses.

In 2015 they joined forces, leveraged their horologic experience to create Gorilla, the automotive-inspired sports watch brand at the crossroads of aspiration and attainability.



Fastback Collection

Inspiration derives from the iconic profile of American Muscle Cars. The automotive designer's ultimate sports car silhouette. A speed-form sculpted to optimize airflow that visually conveys a sense of movement and power.



Fastback Collection



**HUGGER ORANGE
FBY09**

forged carbon case
matte ceramic bezel
anodized aluminum flange
Caliber: Miyota 8215
Bi-color Viton rubber strap



**GALAXY BLUE
FBY11**

forged carbon case
polished ceramic bezel
anodized aluminum flange
Caliber: Miyota 8215
Bi-color Viton rubber strap



**STINGER YELLOW
FBY10**

forged carbon case
polished ceramic bezel
anodized aluminum flange
Caliber: Miyota 8215
Bi-color Viton rubber strap



**RS WHITE
FBY2**

forged carbon case
polished ceramic bezel
Caliber: Miyota 8215
Cordura & rubber hybrid strap



**PHANTOM BLACK
FBY3**

forged carbon case
polished ceramic bezel
Caliber: Miyota 8215
Cordura & rubber hybrid strap



**LEGACY
FBY24**

forged carbon case
forged carbon bezel
Caliber: Miyota 8215
Bi-color Viton rubber strap



**Montreux
FBY32**

forged carbon case
forged carbon bezel
Caliber: Miyota 8215
Viton bi-color strap



Powered by Miyota 8215

Japan Made
-10~ +30 sec per day
42hrs Power Reserve
3hz, stop seconds
21 Jewels

Fastback GT Collection



**ACID GREEN
FBY35**

layered carbon case
polished ceramic bezel
applied titanium crown guards
anodized aluminum dial
applied numerals
Caliber: Miyota 90S5
Bi-color Viton rubber strap



**MODENA
FBY21**

woven carbon case
polished ceramic bezel
applied numerals
anodized aluminum dial
Caliber: Miyota 90S5
Alcantara & rubber hybrid strap



Powered by Miyota 90S5

Japan Made
-10~ +30 sec per day
42hrs Power Reserve
4hz, stop seconds
Open heart
24 Jewels

Fastback Touring

Two limited-edition timepieces that pay homage to the classic sports watches of the 70s.

The watches boast a sleek 39mm black DLC-plated stainless steel case with brushed, polished, and bead-blasted finishes, showcasing the sophisticated design. The aluminum flange framing the matte dials is a stunning contrast. The watch is complemented with FKM rubber hybrid strap featuring a black perforated leather inlay



Fastback Touring Collection



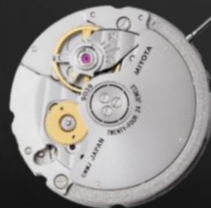
BIANCO AURELIA
FBY42

316L stainless steel case
DLC-coated, 39 mm
steel crown guards
anodized aluminum flange
applied indexes
Caliber: Miyota 9039
Rubber & leather strap



NERO AURELIA
FBY43

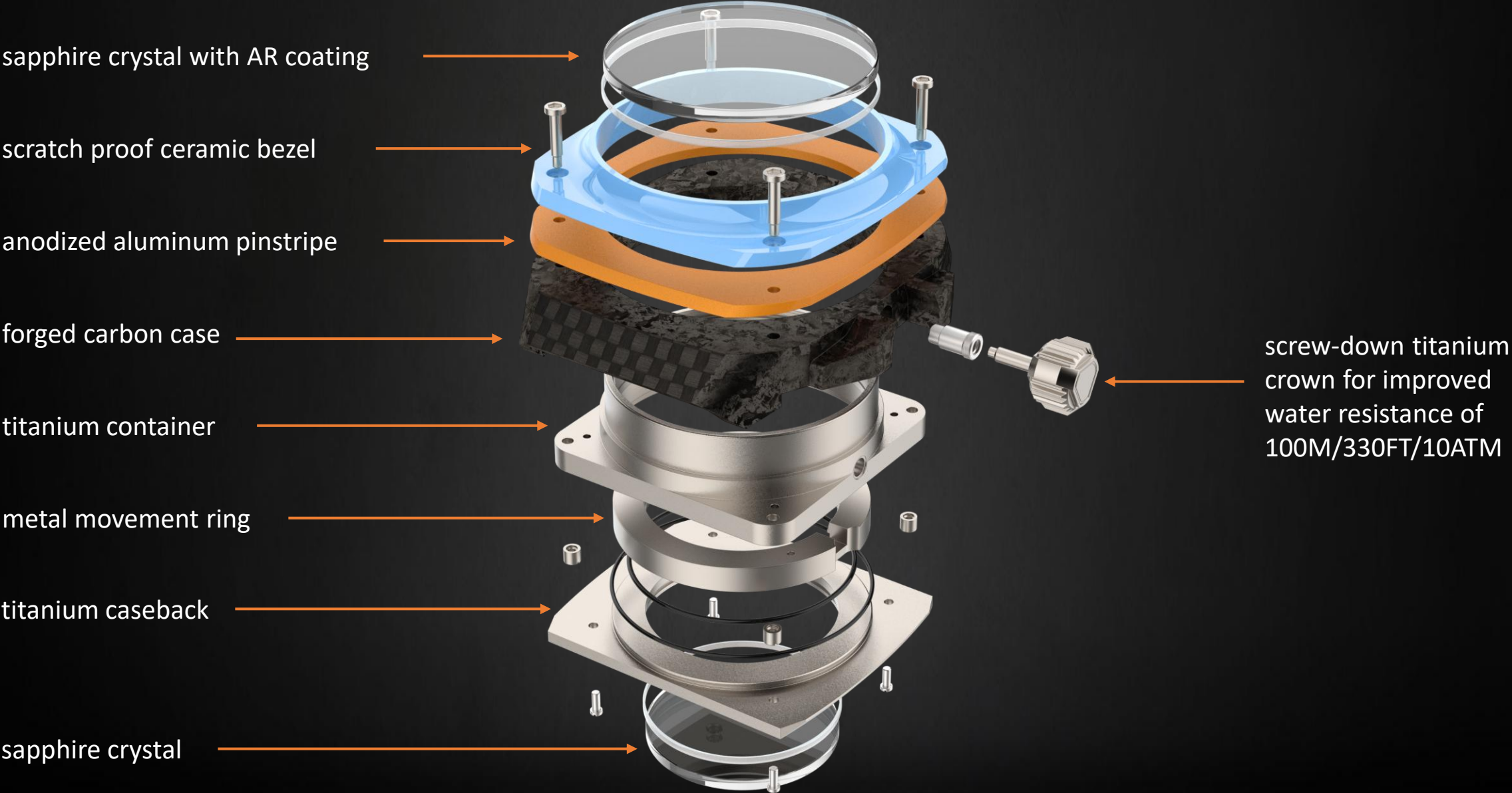
316L stainless steel case
DLC-coated, 39 mm
steel crown guards
anodized aluminum flange
applied indexes
Caliber: Miyota 9039
Rubber & leather strap



Powered by Miyota 9039

Japan Made
-10~ +30 sec per day
42hrs Power Reserve
4hz, stop seconds
Open heart
24 Jewels

Fastback Case Construction



Fastback Enhanced Case

